

MM-120

(120 lb. WLL)

PAN & TILT BACK & REAR SPEAKER MOUNT

MULTIMOUNT®

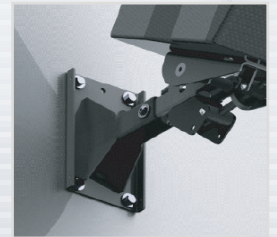


The MM-120 Speaker Mount supports speakers from its back and bottom or top panel, weighing up to 120 lb., and is fully adjustable in both pan and tilt aiming.

This design accommodates speakers that offer four-hole mounting patterns on the back panel of the speaker. (See dimensions section.)

This mount is exceptionally easy to install and use with large format loudspeakers. They are safe and offer greater than 5:1 design factor.

Once arm is inserted, the mounting plate supports the weight of the speaker leaving the installer's hands free to complete the wiring and positioning process.



STANDARD FEATURES:

- ▶ Infinite tilt adjustments thumb-wheel.
- ▶ Pan angle secured by clutch style lock.
- ▶ Mounts to walls studs or optional stud plate.
- ▶ Wall plate makes installation safe and quick.
- ▶ Adapts to 4 hole mounting patterns including 3-7/16 x 6-7/8 and 2-3/4 x 5 inch VESA pattern.

OPTIONAL ACCESSORIES:

- ▶ WP-16 Wall Stud Adapter
- ▶ Safety Cable kits (See data sheets)
- ▶ Internal Backing Plate MM-120-BP

SPECIFICATIONS:

Material: Structural Steel Alloy

Finish: Powder Coat

Tilt Adjustment: 45 degrees

Swivel Adjustment: 180 degrees

Color: Black

WLL: 120 lbs. (45 Kg) max.

Design Factor: 5:1 ratio

Net wgt: 11 lbs. (5 Kg) each

Shipping wgt: 13 lbs. (5.9 Kg) each

Pack Count: 1 per carton

PACKAGE CONTENTS:

- 1 pc** Speaker Adapt Assy
- 1 pc** Wall Mount
- 1 pc** Extension Tube
- 1 pc** Button Screw 3/8-16 X 2.5" Long
- 2 pcs** Flat Washers, 3/8
- 1 pc** Nyloc Nut, 3/8-16

ALWAYS INSTALL SAFETY CABLES

WARNING: Mounting and/or suspension of audio and video equipment requires experienced professionals. Improperly installed loudspeakers can result in property damage, personal injury and/or liability to the installing contractor.



Rated for indoor use.

MM-120

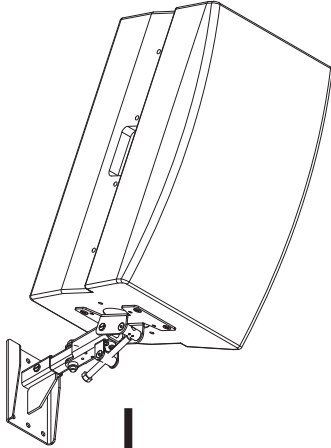
(120 lb. WLL)

PAN & TILT BACK & REAR SPEAKER MOUNT

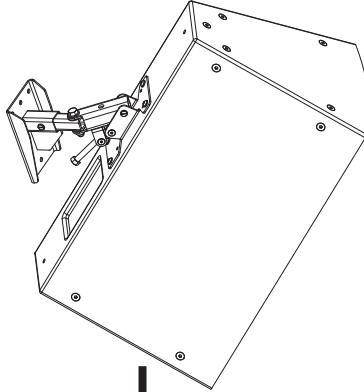
MULTIMOUNT®

DIMENSIONS:

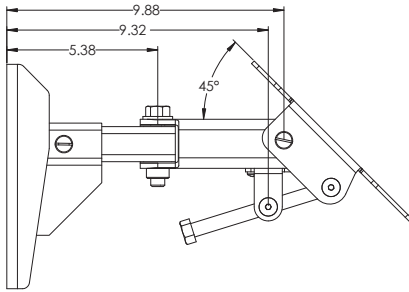
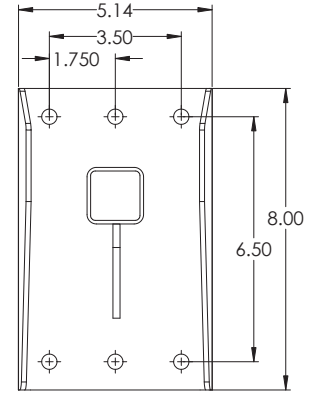
Bottom Mounted



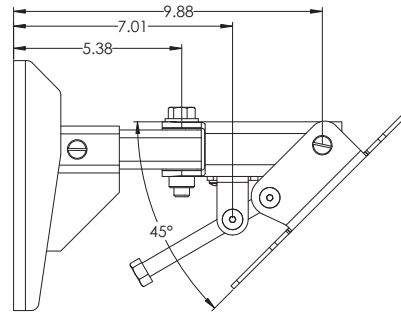
Back Mounted



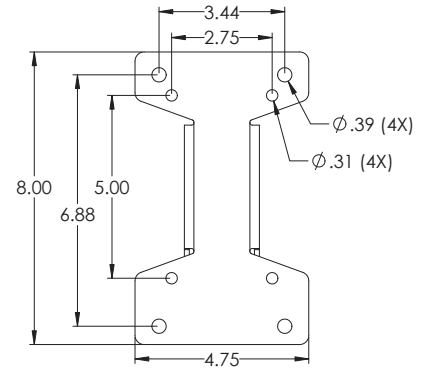
Wall Mount



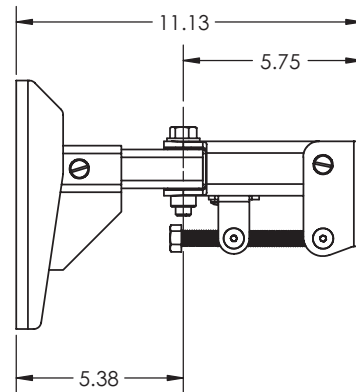
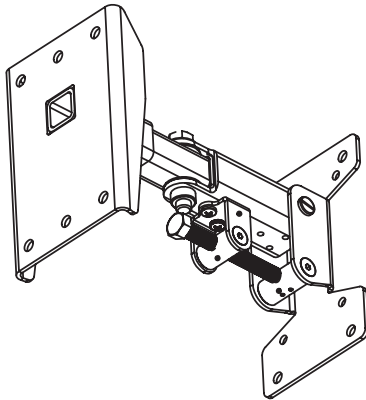
Side View
horizontal to 45°



Side View
vertical to 45°



Speaker Mount



ALWAYS INSTALL SAFETY CABLES

WARNING: Mounting and/or suspension of audio and video equipment requires experienced professionals. Improperly installed loudspeakers can result in property damage, personal injury and/or liability to the installing contractor.



Rated for indoor use.