

The versatile MultiMount™ MM-120 wall mounts hold a loudspeakers weighing up to 120 lbs to walls by securing to standard four-holes mounting patterns located on the back and the bottom panels.

The MM-120 simplifies and speeds up installations while offering a very versatile range of mounting and aiming options

Note to installers

Due to the wide variety of wall structures, materials and mounting methods, these instructions assume that the installing contractor will exercise proper judgment in selecting the mounting area and hardware.

As a guide, the installation, when complete should be capable of supporting 5 to 10 times the actual applied load. Always use a back up safety system such as a safety cable.

To assure a trouble free installation, read through and follow these instructions carefully before beginning. If you have doubts about the integrity of the structure you are mounting to or you are not sure about the proper hardware to use, consult a structural and/or hardware specialist.

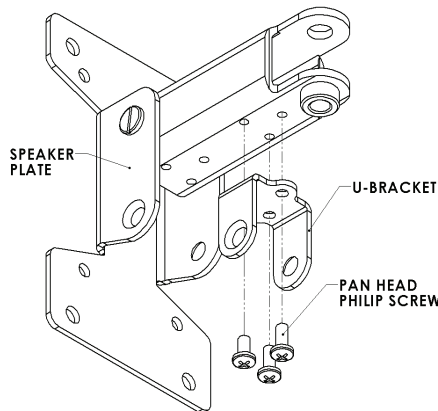
Be sure that all of the following items are included in this kit before proceeding:

1 pc Wall mounting plate
1 pc Hardware kit bag

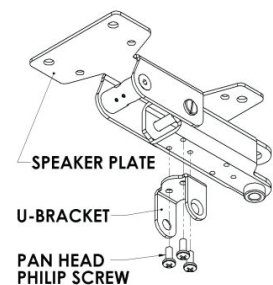
1 pc Speaker adapter assembly
1 pc Instruction sheet

Note: Screws and washers to attach speaker to adapter plate are not included

Before beginning the installation process, first determine if the U-Bracket will be attaching to the rear or the bottom speaker, then select the configuration A or B below



(A) Rear Mounted Configuration



(B) Bottom Mounted Configuration

(A) Rear Mounted Configuration

Assemble the Pivot U-Bracket to the set of holes closest to the bracket pivot using the supplied 1/4-20 x5" long screws.

(B) Bottom Mounted Configuration

Assemble the Pivot U-Bracket to the set of holes farthest from the bracket pivot using the supplied 1/4-20 x5" long screws.

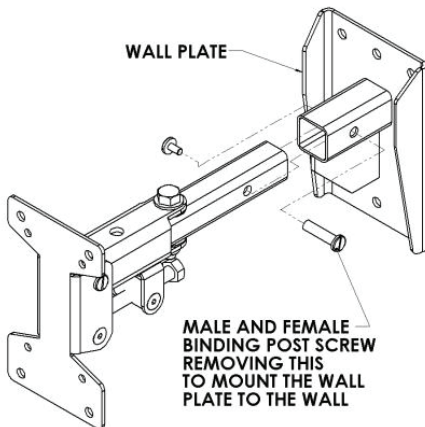


Figure 1

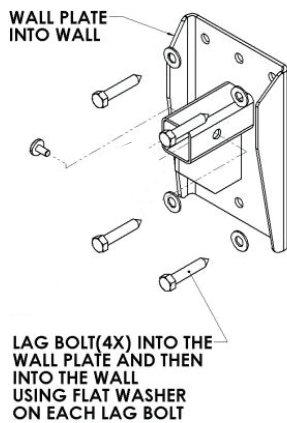


Figure 2

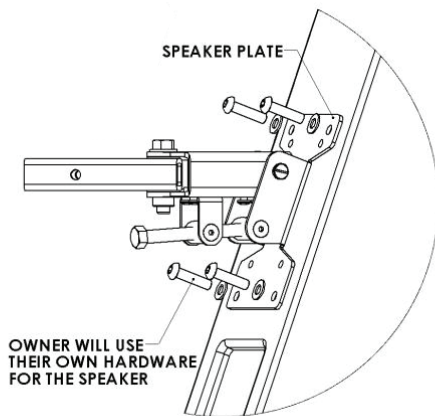


Figure 3

Steps for mounting the MM-120 to the Wall and Speaker

Step 1: Disassemble the wall plate

This will allow the wall plate to be mount to the wall with no interference (Figure 1).

Step 2: Install wall plate to wall

Install the wall plate to the wall using the 4 corner holes of the wall plate. Use and place over the desired wall location. Use appropriate mounting screws for the proper wall structure. (Figure 2).

Do not invert the wall plate. The gusset tab must be always on the bottom side.

Step 3a: Install the speaker adapter to rear of speaker

Owner using their own hardware to mount the speaker plate to the speaker (Figure 3).

Step 3b: Assemble the speaker adapter to a bottom of speaker

Owner using their own hardware to mount the speaker plate to the speaker (Figure 4).

Step 3c: Attach mount to speaker

Attach the speaker mount to the selected speaker mounting holes using the speaker manufacturer's recommended or supplied hardware (Not included with the mount). Tighten these fasteners permanently (Figure 3 and Figure 4).

Note: If the speaker cabinet does not offer threaded mounting holes, do not install this mount. Consult the speaker manufacturer for their recommended mounting procedures.

Step 4: Attach speaker & mount assy

to the wall plate then secure with the binding post screw (Figure 1).

Step 5: Set the pan angle on the pivot bracket

Loosen and adjust the hex bolt. This enables the panning of the speaker from left to right. Tighten this bolt to lock it in place. (Figure 5 & 9).

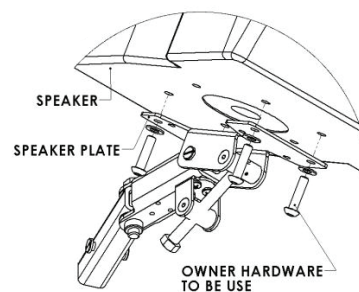


Figure 4

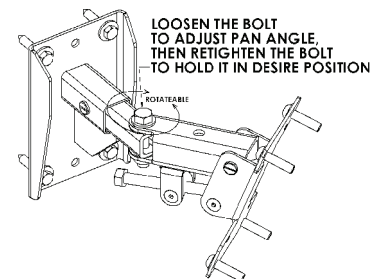


Figure 5

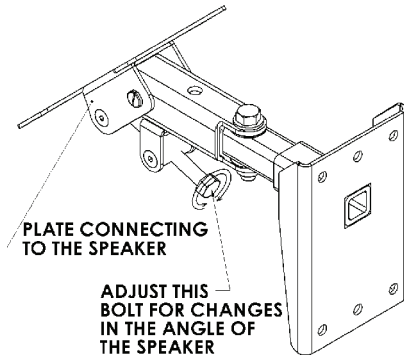


Figure 6

Step 6: Set the tilt angle

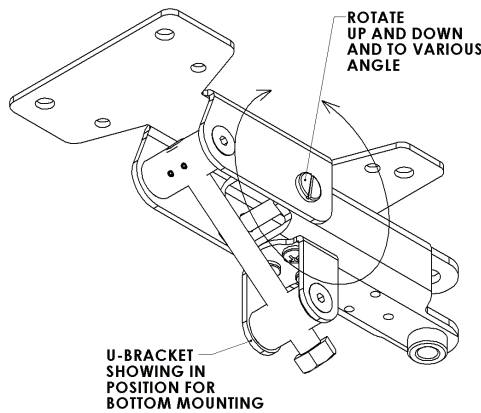
Rotate the adjustment screw to adjust the tilt angle of the speaker (Figure 6).

Step 7: Install speaker and mount to wall plate

Lift speaker and mount up to the wall mounting plate, feed wire in through the end of the support arm tube and out through the tube's upper hole (Figure 7, 8 & 9).

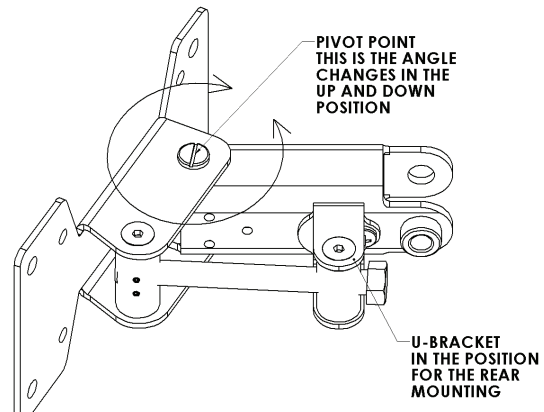
Step 8: Strongly recommended: Install safety cable

Attach one end of a safety cable to the wall structure and the other end to the speaker. If no attachment is provided on the speaker, consult the speaker manufacturer for advice on best attachment point on method. Safety cables sold separately.



Showing u-bracket in the bottom mounting position and pivot point

Figure 7



Showing u-bracket in the rear mounting position and pivot point

Figure 8

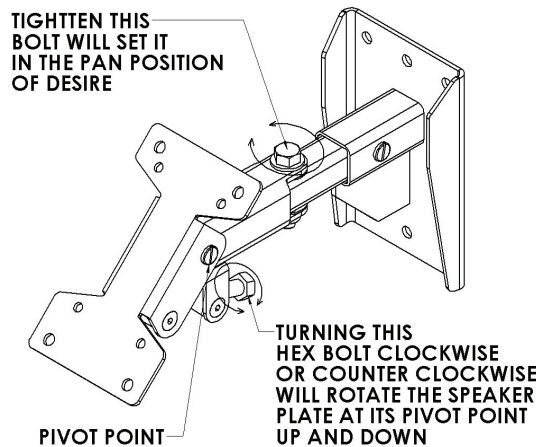


Figure 9