



Dolby SB218XL

Dual 18" Subwoofer

—

Dolby **SB218XL**

Dual 18" Subwoofer



Impact, energy and realism

The new Dolby® **SB218XL** is a double 18" driver front-loaded subwoofer designed to deliver deep, clean, and impactful sub-bass audio. SB218XL helps make your premium large format auditorium into a chest-thumping, unforgettable, immersive experience.

Featuring two 18" pro-audio drivers with 4" voice coils, the SB218XL is constructed using quality materials and employs our advanced input plate which allows a user to select an individual or parallel configuration without having to open the cabinet.

Engineered with versatility in mind, the SB218XL cabinets can be stacked and are equipped with rubber feet and indexing recessions as well as threaded inserts which when used with the BKT.136 tie plates and the BKT.FLR floor brackets (both sold separately) allow for both the mechanical coupling of units, as well as the mechanical connection of the speaker stack (two units maximum per stack) to the auditorium mounting surface.

Dolby SB218XL

Components

The SB218XL features **pro-audio quality**, dual-18" subwoofer drivers that utilize 4" voice coils that enable up to **48 mm of peak-to-peak excursion** while offering an optimized cooling system as well as an aluminum demodulation ring for reducing distortion

- **4" Copper voice coil** (rather than 3" used in many designs)
- **Double silicon spider** allows for very smooth travel and linear suspension control
- Stronger **cast-aluminum basket** compared to stamped designs used on some competing products



SB218XL 18" Driver

Dolby SB218XL

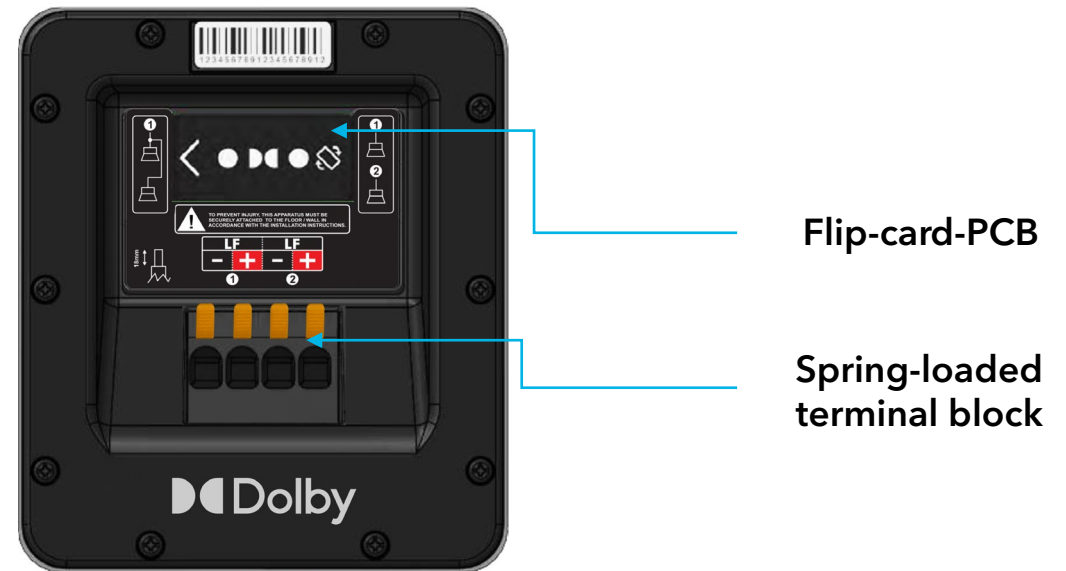
Components

The SB218XL Subwoofer is equipped with an Advanced Input Plate featuring a high-current, spring-loaded terminal block and **unique flip-card PCB** electrical routing, allowing for quick, tool-free connection and easy selection of either Parallel (4 Ohm) or Individual (8 Ohms x 2) configurations

Wiring is made quicker and simpler

Push the lever to open, insert the stripped back wire, then release, locking the wire securely in place. No spade lugs or crimping tool required during connection

See manual for complete wiring details.

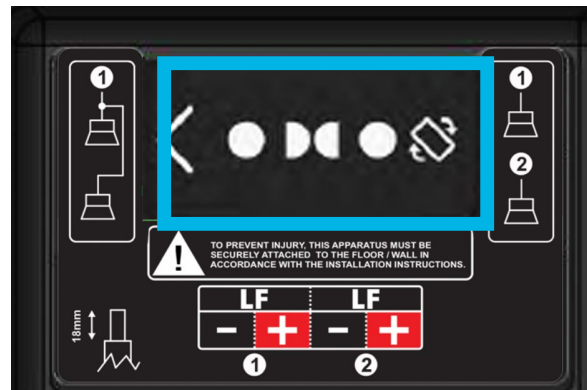


Dolby SB218XL

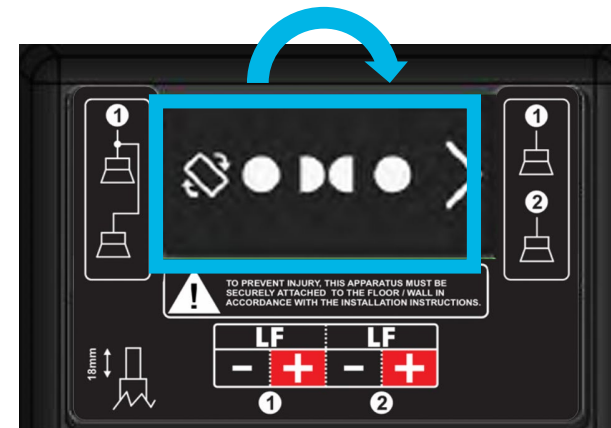
Components

The SB218XL input plate includes a **unique flip-card PCB** for electrical routing. Changing the orientation of the card will select either parallel (4 Ohms), or direct to individual driver (8 Ohms) connection. Selection of these two modes is achieved **by inserting the flip-card into one of the two positions**

OPTION 1: Parallel (4-Ohm mode)



OPTION 2: Individual (dual 8-Ohm mode)



Dolby SB218XL

Ergonomics

Balance Centered Handles - eases unpacking and placement of the speaker cabinet(s)



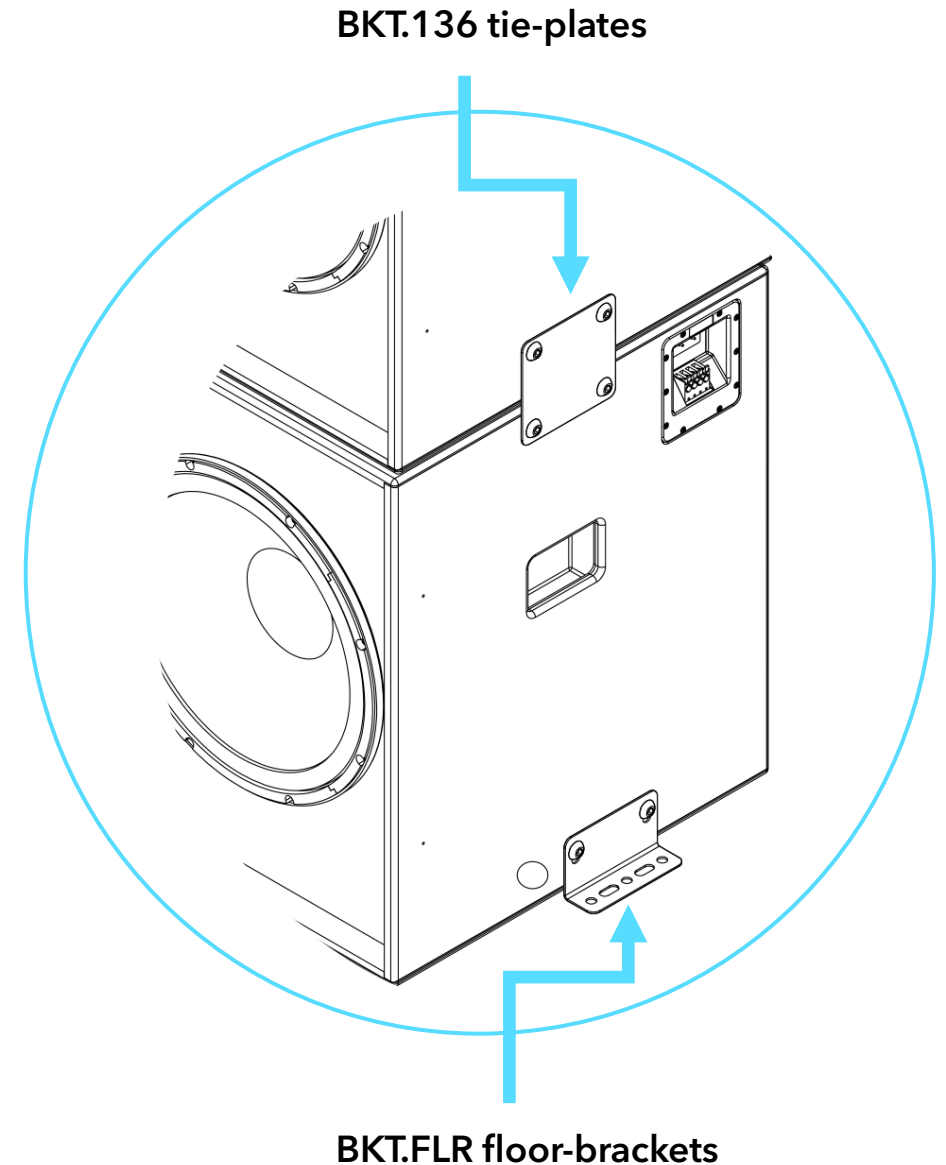
Dolby SB218XL

Ergonomics

Engineered with versatility in mind, the SB218XL cabinets can be stacked and are equipped with **rubber feet and indexing recessions** as well as threaded inserts which when used with the **BKT.136 tie plates** and the **BKT.FLR floor brackets** (both sold separately) allow for both the **mechanical coupling of units**, as well as the **mechanical connection of the speaker stack** (two units maximum per stack) **to the auditorium mounting surface**.*



Rubber feet and indexing recessions



Dolby SB218XL

Specifications

***NOTE:** BKT.FLR - Floor-brackets (sold separately) must be used to secure the entire speaker system to the auditorium mounting surface.

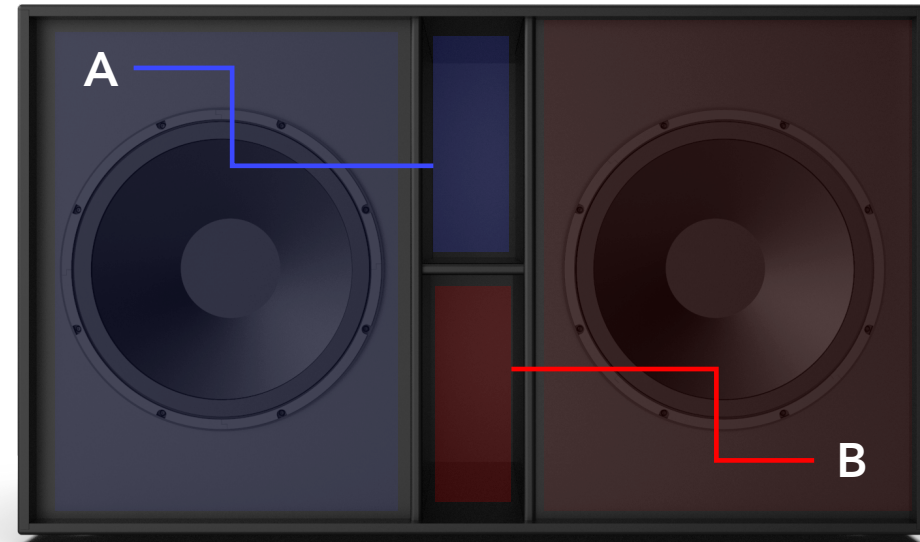
Sound and vibration from this type of speaker system is high and may cause cabinets to shift. Failure to secure the bottom speaker cabinet to the mounting surface may result in a tip/fall of the entire system which may cause damage or injury. Proper selection of mounting hardware is not included and proper assembly and installation of mounting hardware, including, but not limited to, selection of appropriate weight bearing support and bracket use is the exclusive responsibility of the installer. Dolby disclaims any liability, including damage or injury, for the selection of i) non-Dolby manufactured mounting hardware or ii) third-party manufactured mounting hardware not previously approved in writing by Dolby, and/or bracket installation. Any modification to the speaker system hardware provided by Dolby (i.e. mounting by drilling holes into the speaker system) will result in a null and void product warranty.

Dolby SB218XL

Performance

The SB218XL has been developed for use in high-performance, premium large format (PLF) cinema applications - where the **most impactful LFE performance is required** for either Dolby Atmos®, Dolby Surround 7.1 or Dolby Surround 5.1 auditoriums

Individual acoustic chambers and porting for each driver enhance performance, structural integrity, and reliability



Individual acoustic chambers and porting appointed to each driver

Dolby SB218XL

Specifications

| | |
|---|--|
| Frequency range ¹ | 22 Hz - 170 Hz |
| Usable LF response ² | 19 Hz |
| Coverage window | Omni |
| Rated impedance | 4 Ohms / 8 Ohms independent drive |
| Sensitivity @ 1 watt ³ | 102 dB |
| Power handling ⁴ | 1600 W @ 80 Vrms |
| Power draw ⁵ | 1140 W |
| Maximum voltage peak ⁶ | 200 Vpk |
| Maximum continuous SPL @ 1 meter ⁷ | 134 dB |
| Measured acoustic peak SPL @ 1 meter ⁸ | 144 dB |
| <hr/> | |
| Transducers | LF - 18" woofer (x 2) |
| Enclosure | Wood |
| Accessories | BKT.136 tie plates and BKT.FLR floor brackets (both sold separately) |
| Dimensions (unit) | 30" H x 50.5" W x 25.2" D (76.2 x 128.26 x 64 cm) |
| Weight (unit) | 207.5 lb. (94.1 kg) |
| Dimensions (shipping) | 33.95" H x 56.5" W x 31.8" D (86.23 x 143.52 x 80.75 cm) |
| Weight (shipping) | 225.5 lb. (102.3 kg) |

Dolby SB218XL

Specifications

1. -6 dB in half-space conditions using required processing
2. -10 dB in half-space conditions
3. Measured with 12 dB crest pink noise @ 2 Vrms in ground plane conditions with required HPF and LPF. Sensitivity interpolated to 1 m.
4. 8 dB crest pink noise for two hours with required HPF and LPF, calculated power based on rated impedance
5. Measured average power over 5 seconds at the rated Vrms using 8 dB crest pink-noise with required HPF and LPF. This measured power draw from the amplifier is useful for estimating amplifier sizing in overall system design.
6. Measured Vpk over 100 hours using a Hann shaped sine-wave burst at the maximum excursion frequency of the system. This data is useful for setting peak stop limiters and amplifier selection
7. Calculated from rated sensitivity and power
8. Measured peak SPL over 5 seconds at rated Vrms using 8 dB crest pink noise with required HPF and LPF

The English version of this document is the only legally binding version.
Translated versions are not legally binding and are for convenience only.

* See Owner's Manual for detailed installation instructions. Do not mount without reading Owner's Manual.

**Specifications are subject to change without notice.

This documentation applies to Model CID 1032



Dolby Laboratories, Inc. 1275 Market Street, San Francisco, CA 94103-1410 USA T +1-415-558-0200 [dolby.com](https://www.dolby.com)
Dolby, Dolby Atmos, and the double-D symbol are registered trademarks of Dolby Laboratories.
© 2022 Dolby Laboratories, Inc. All rights reserved.