



# **Dolby SB218**

## **Dual 18" Subwoofer**

# Dolby SB218

## Dual 18" Subwoofer

The new Dolby® SB218 is a **double 18"**, front-loaded subwoofer designed to meet the needs of high-performance low frequency effects (LFE) channels in **Dolby Atmos®**, **Dolby surround 7.1** and **5.1** commercial cinema auditorium applications. The SB218 provides extended sub-bass response and high output, delivering solid, low-frequency energy to every seat in the auditorium.



# Dolby SB218

## Components

Featuring two 18" pro-audio drivers with **4" voice coils**, the SB218 is constructed using quality materials and employs independent acoustic chambers for each of the drivers, improving performance and reliability.

- **Pro-Audio quality**, dual-18" subwoofer drivers with FEM (finite element modeling) optimized ferrite motors and suspension
- **4" Copper voice coil** (compared to 3" used in many designs)
- **Resonance free** and heavy-duty basket design

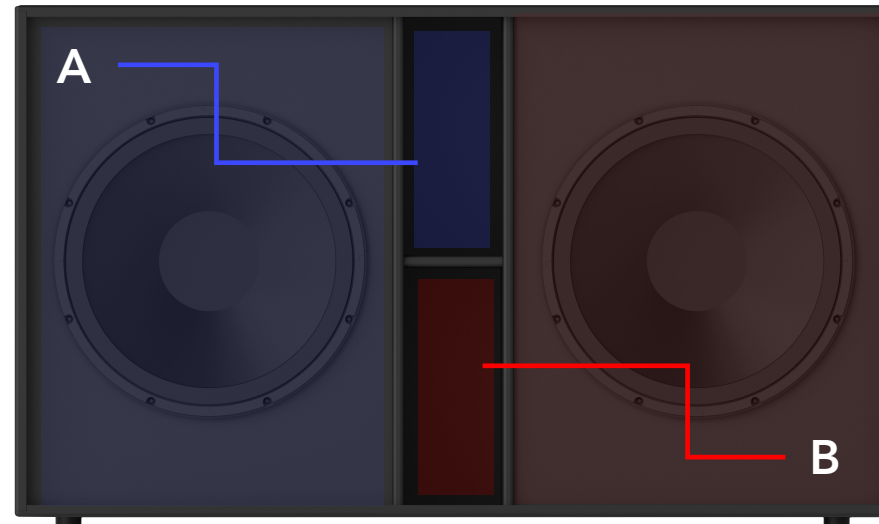


**SB218 18" Driver**

# Dolby SB218

## Components

Each of the 18-inch drivers are contained within **individual acoustic chambers** in the cabinet, providing enhanced performance and reliability



Individual acoustic chambers and porting appointed to each driver

# Dolby SB218

## Components

The SB218 Subwoofer is equipped with an **Advanced Input Plate** featuring a high-current, spring-loaded terminal block allowing for quick, tool-free connection during installation.

### Wiring is made quicker and simpler

Push the lever to open, insert the stripped back wire, then release, locking the wire securely in place. No spade lugs or crimping tool required during connection

See manual for complete wiring details.



**SB218 Advanced input plate**

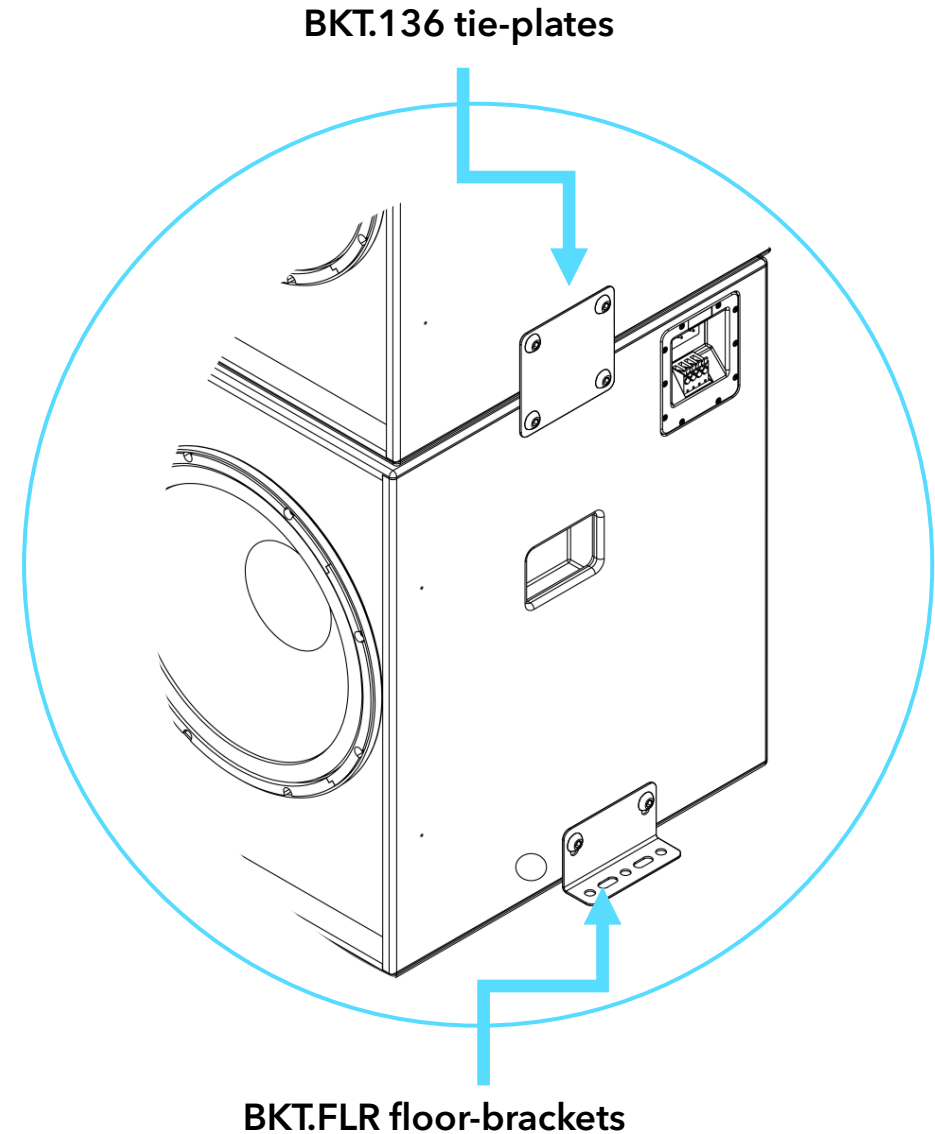
# Dolby SB218

## Ergonomics

Sharing the engineered versatility of the SB218XL (PLF version), the SB218 cabinet **can be stacked** and is equipped with rubber feet and **indexing recesses** as well as **threaded inserts**, which when used with the BKT.136 tie plates and the BKT.FLR floor brackets (both sold separately), allow for **the mechanical coupling of units**, as well as the **mechanical connection of the speaker stack** (two units maximum per stack), to the auditorium mounting surface.\*



Rubber feet and indexing recesses



# Dolby SB218

## Specifications

**\*NOTE:** BKT.FLR - Floor-brackets (sold separately) must be used to secure the entire speaker system to the auditorium mounting surface.

Sound and vibration from this type of speaker system is high and may cause cabinets to shift. Failure to secure the bottom speaker cabinet to the mounting surface may result in a tip/fall of the entire system which may cause damage or injury. Proper selection of mounting hardware is not included and proper assembly and installation of mounting hardware, including, but not limited to, selection of appropriate weight bearing support and bracket use is the exclusive responsibility of the installer. Dolby disclaims any liability, including damage or injury, for the selection of i) non-Dolby manufactured mounting hardware or ii) third-party manufactured mounting hardware not previously approved in writing by Dolby, and/or bracket installation. Any modification to the speaker system hardware provided by Dolby (i.e. mounting by drilling holes into the speaker system) will result in a null and void product warranty.

# Dolby SB218

## Ergonomics

The **Balance Centered Handles** - greatly ease the unpacking and placement of the speaker cabinet(s) during installation.





# Dolby SB218

## Specifications

Frequency range <sup>1</sup>	26 Hz –170 Hz
Usable LF response <sup>2</sup>	22 Hz
Coverage window	Omni
Rated impedance	4 Ohms
Sensitivity @ 1 watt <sup>3</sup>	102 dB
Power handling <sup>4</sup>	1200 W @ 61 Vrms
Power draw <sup>5</sup>	750 W
Maximum voltage peak <sup>6</sup>	175 Vpk
Maximum continuous SPL @ 1 meter <sup>7</sup>	133 dB
Measured acoustic peak SPL @ 1 meter <sup>8</sup>	141 dB
Transducers	LF – 18" woofer (x 2)
Enclosure	Wood
Accessories	BKT.136 tie plates and BKT.FLR floor brackets (both sold separately)
Dimensions (unit)	30" H x 50.5" W x 25.2" D (76.2 x 128.4 x 64 cm)
Weight (unit)	171 lb. (77.6 kg)
Dimensions (shipping) <sup>***</sup>	33.95" H x 56.5" W x 31.8" D (86.23 x 143.52 x 80.75 cm)
Weight (shipping)	187.96 lb. (85.26 kg)

# Dolby SB218

## Specifications

1. -6 dB in half-space conditions using required processing
2. -10 dB in half-space conditions
3. Measured with 12 dB crest pink noise @ 2 Vrms in half-space conditions with required highpass filter and lowpass filter.
4. 9 dB crest pink noise for two hours with required highpass filter and lowpass filter, calculated power based on minimum impedance.
5. Measured average power over five seconds at the rated Vrms using 9 dB crest pink noise with required highpass filter and lowpass filter. This measured power draw from the amplifier is useful for estimating amplifier sizing in overall system design.
6. Measured Vpk over 100 hours using a Hann-shaped sine-wave burst at the maximum excursion frequency of the system. This data is useful for setting peak stop limiters and amplifier selection.
7. Calculated from rated sensitivity and power
8. Measured half-space peak SPL over five seconds at rated Vrms using 9 dB crest pink noise with required highpass filter and lowpass filter.

The English version of this document is the only legally binding version.  
Translated versions are not legally binding and are for convenience only.

\* See Owner's Manual for detailed installation instructions. Do not mount without reading Owner's Manual.

\*\* Specifications are subject to change without notice.

\*\*\* This product can be shipped only by surface transportation. Do not ship by air.

This documentation applies to Model CID 1035



Dolby Laboratories, Inc. 1275 Market Street, San Francisco, CA 94103-1410 USA T +1-415-558-0200 [dolby.com](https://www.dolby.com)  
Dolby, Dolby Atmos, and the double-D symbol are registered trademarks of Dolby Laboratories.  
© 2023 Dolby Laboratories, Inc. All rights reserved.